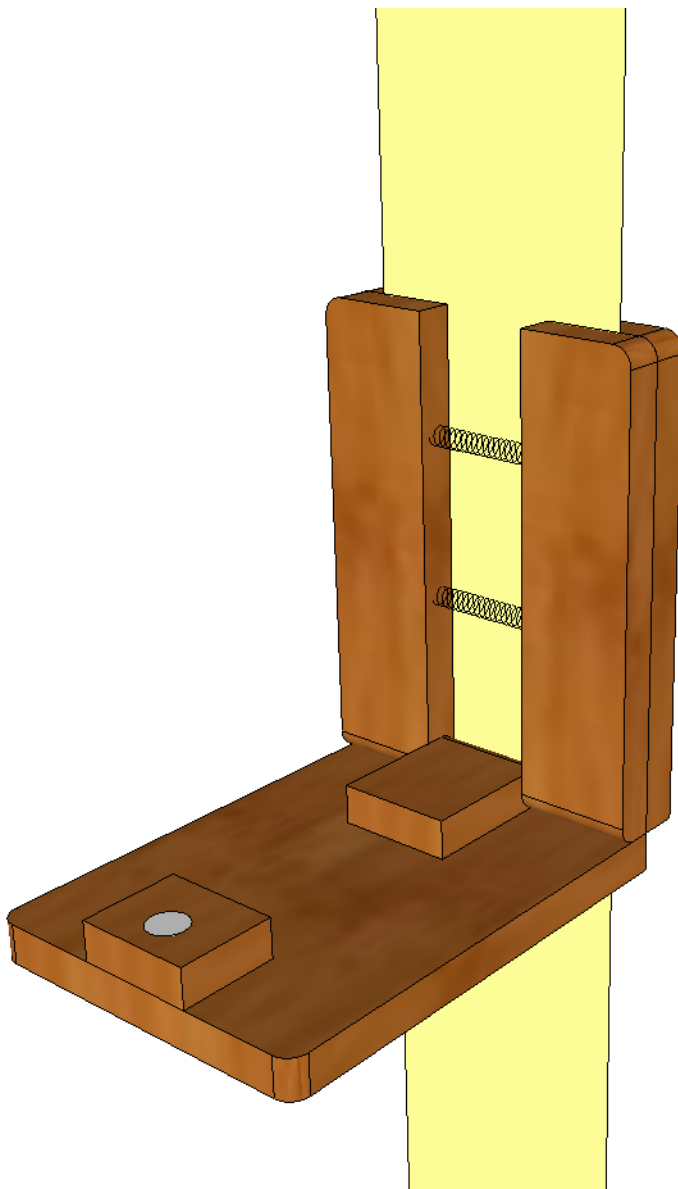


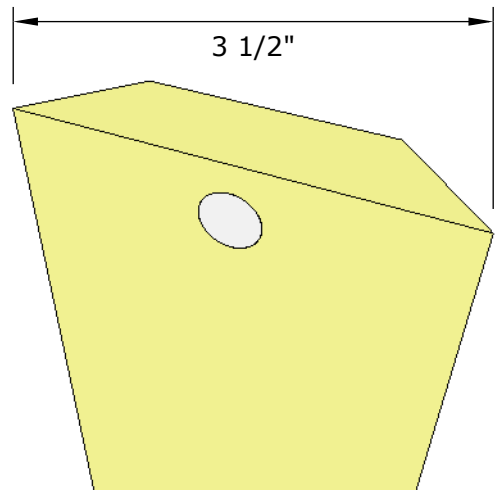
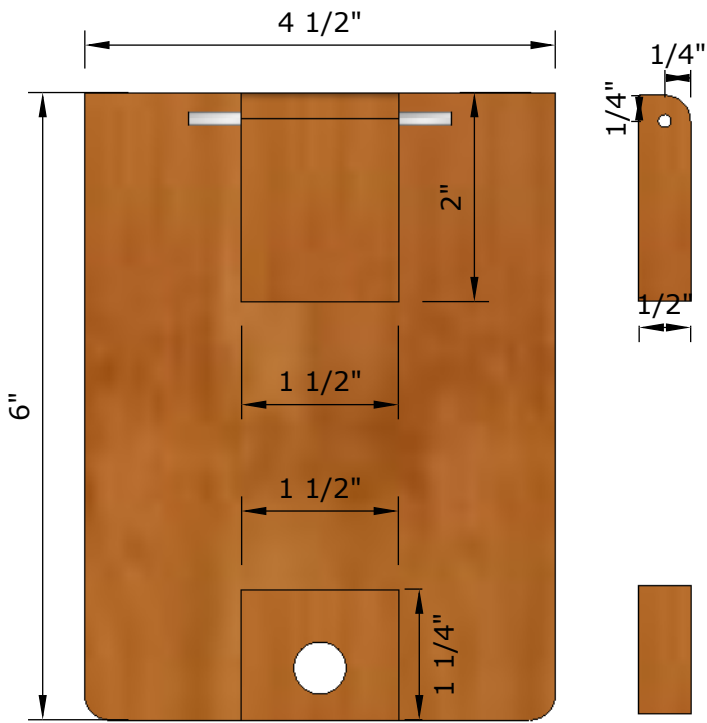
ORIGINAL PLANS

By

Brad Clark

Height Tracker for Kids





Mount the backer board 12 inches off the ground. If you have really tall people in your family consider 18" instead, just remember what the measurement is so you can repeat it if you ever move.

