

Original Plans **By** Brad Clark

1/6 Scale Model Furniture -- Dry Sink

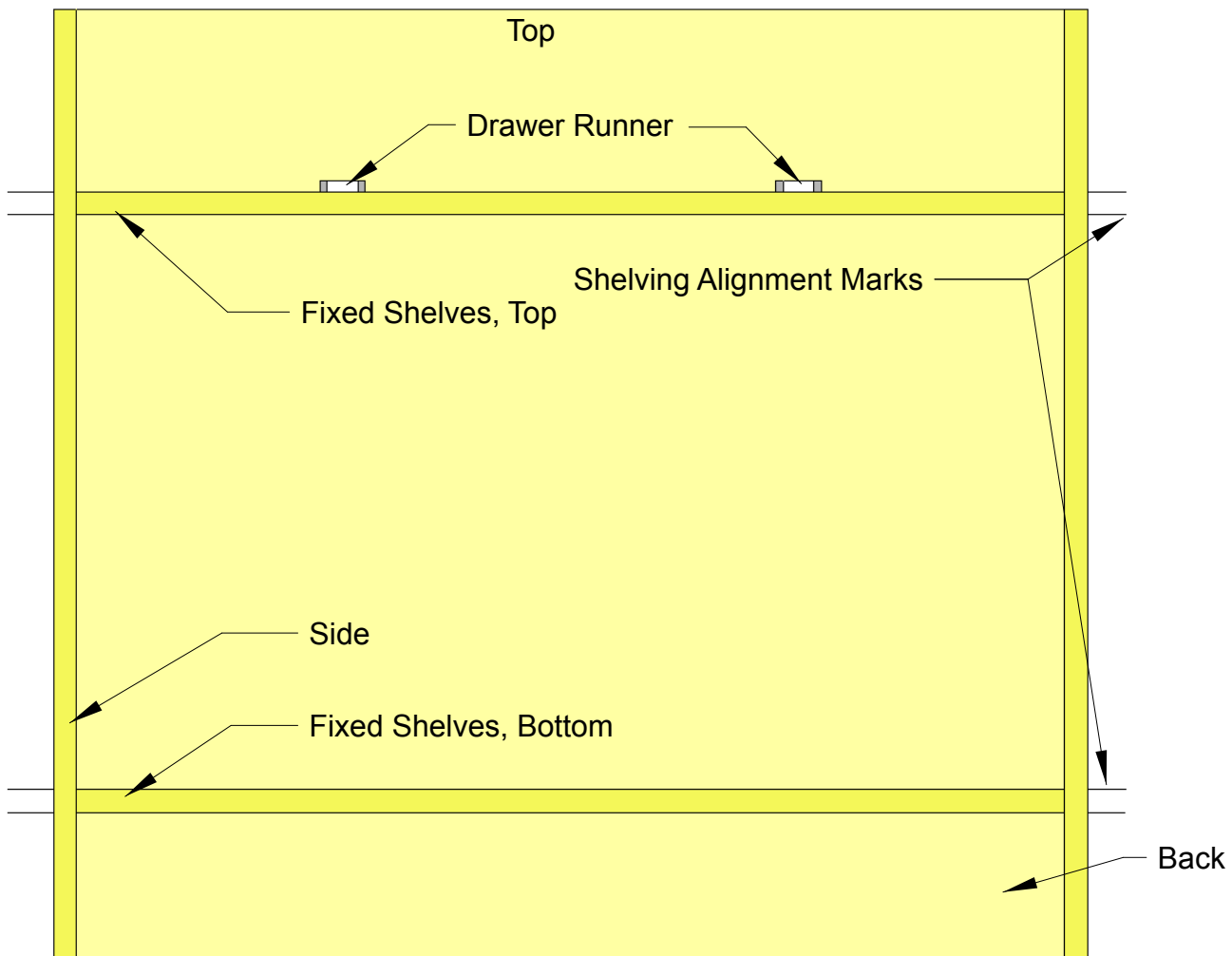


©2013 Brad Clark

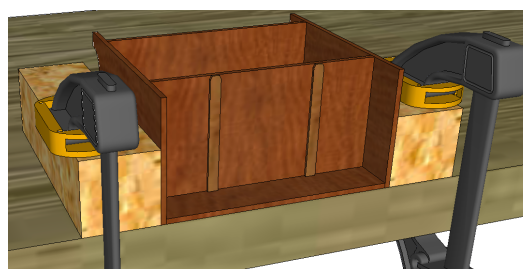
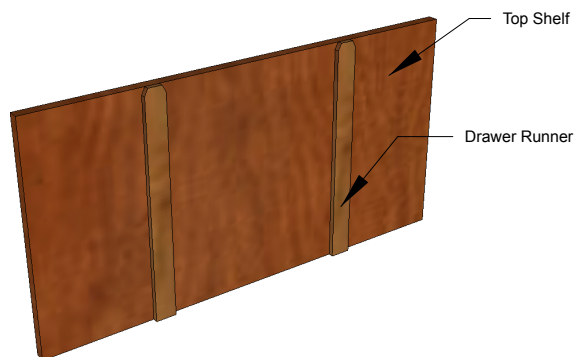
The purchase of these plans does not transfer any copyright or other ownership interest in the plans, the design, or the finished project to the buyer. Buyer may neither reproduce the plans for sale nor offer for sale any copies of the finished project.



Main Box TEMPLATE A



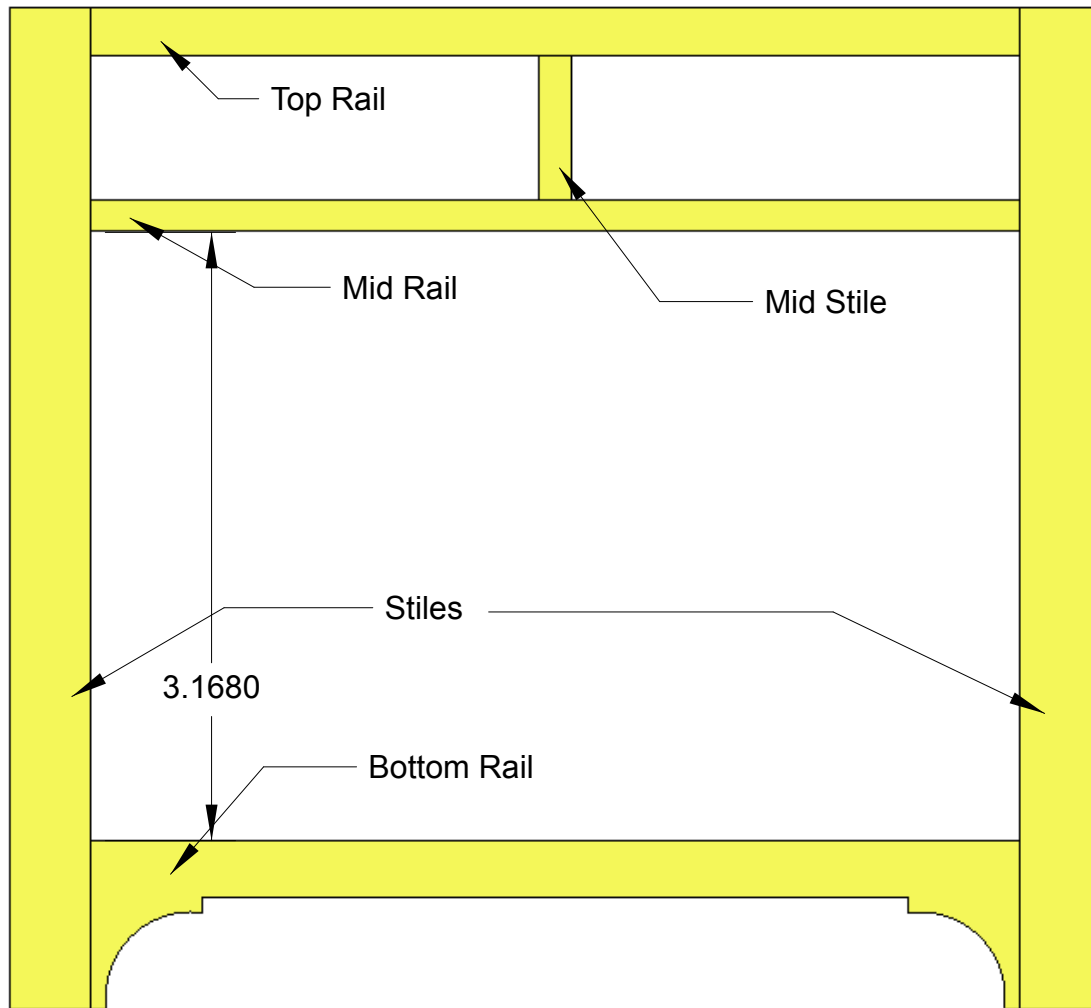
Using TEMPLATE A, transfer shelf alignment marks to the "back" and "sides" by marking with a pencil. Transfer Drawer Runner location to the "top shelf". Glue in place the drawer runner using the marks just made on the top shelf.



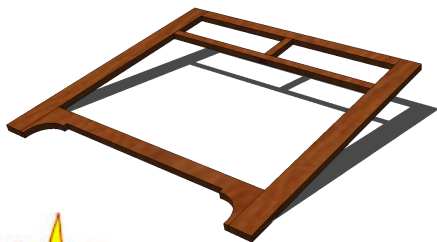
On a flat work surface, assemble the sides, back and shelves. Lay the back down and stand the sides up on the work surface then clamp between two scraps of wood as pictured below. Observe that one side of the leg is larger on the "sides", ensure it is flat on the work surface. Place the shelves along the shelving alignment marks made earlier and glue in place.



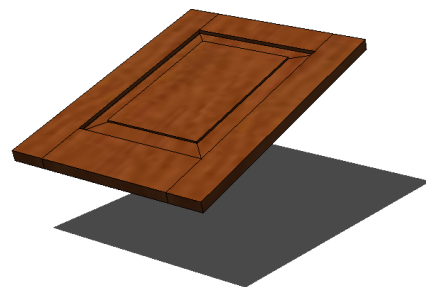
Front Frame TEMPLATE B



Build the front frame directly over TEMPLATE B. **BUILD TIP**--Cover the template with wax paper or apply clear packing tape before applying glue to keep parts from sticking to the template.



STEP 3



Build the doors directly on Template C. This ensures they will fit in the front frame opening, however some sanding may be required to ensure a nice fit. Build both doors in this step and fit into the front frame opening. Attaching hinges to the doors will be a unique process depending on the type of hinge you choose. You may need to cut a notch out in the doors or front frame or both to fit the hinges in place. Use the door panel top and bottom as a placement guide for your hinges. If you choose not to install hinges, the doors can be glued in place.

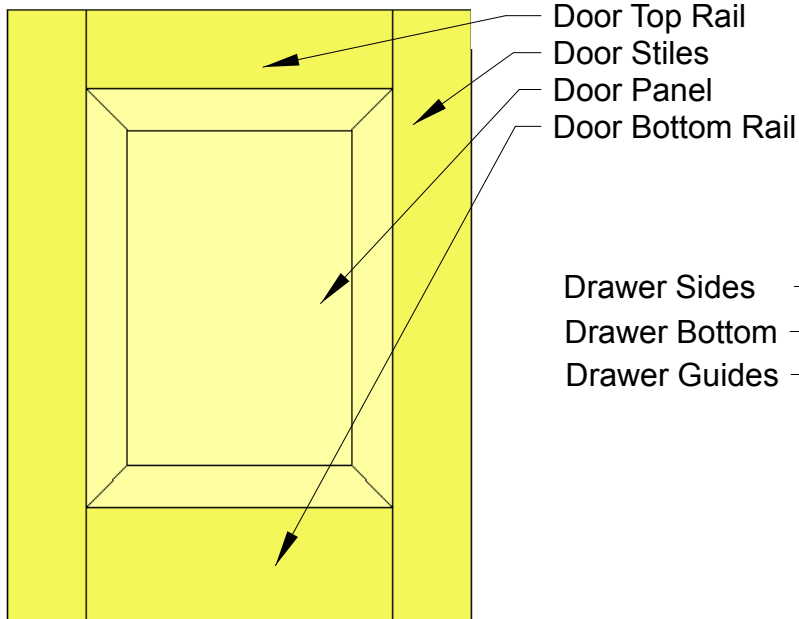
STEP 4

©2013 Brad Clark

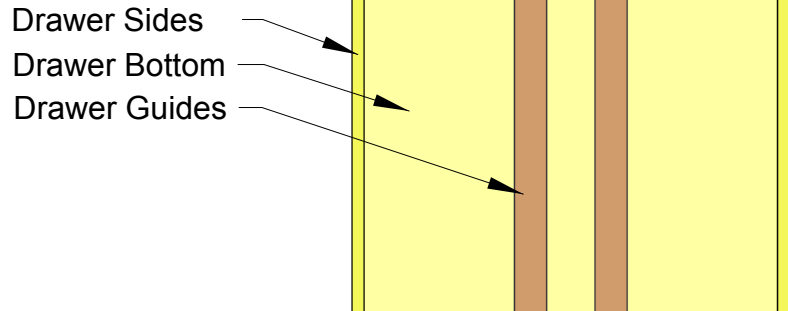


Doors and Drawers

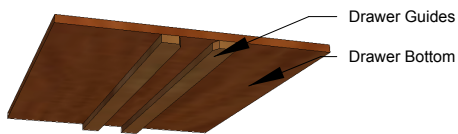
TEMPLATE C



TEMPLATE D



STEP 5

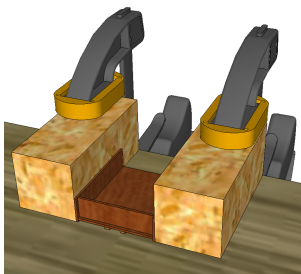


Use TEMPLATE D to transfer drawer guide alignment marks to the drawer bottom then glue drawer guides to drawer bottom as pictured.

Line up Main Box over Front Frame and secure with glue. Ensure the top of the Mid-Rail is flush with the top of the top shelf.

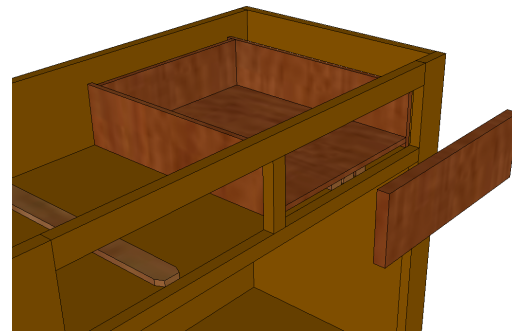


STEP 7



Place the drawer bottom on a flat work surface. Use the drawer guides as a reference to ensure the drawer bottom is flat. Using scrap wood blocks sandwich the drawer sides and drawer back in place. Ensure the drawer sides are flat on the work surface. Align the drawer back slightly forward from the back of drawer as pictured. Clamp in place and apply glue.

STEP 6

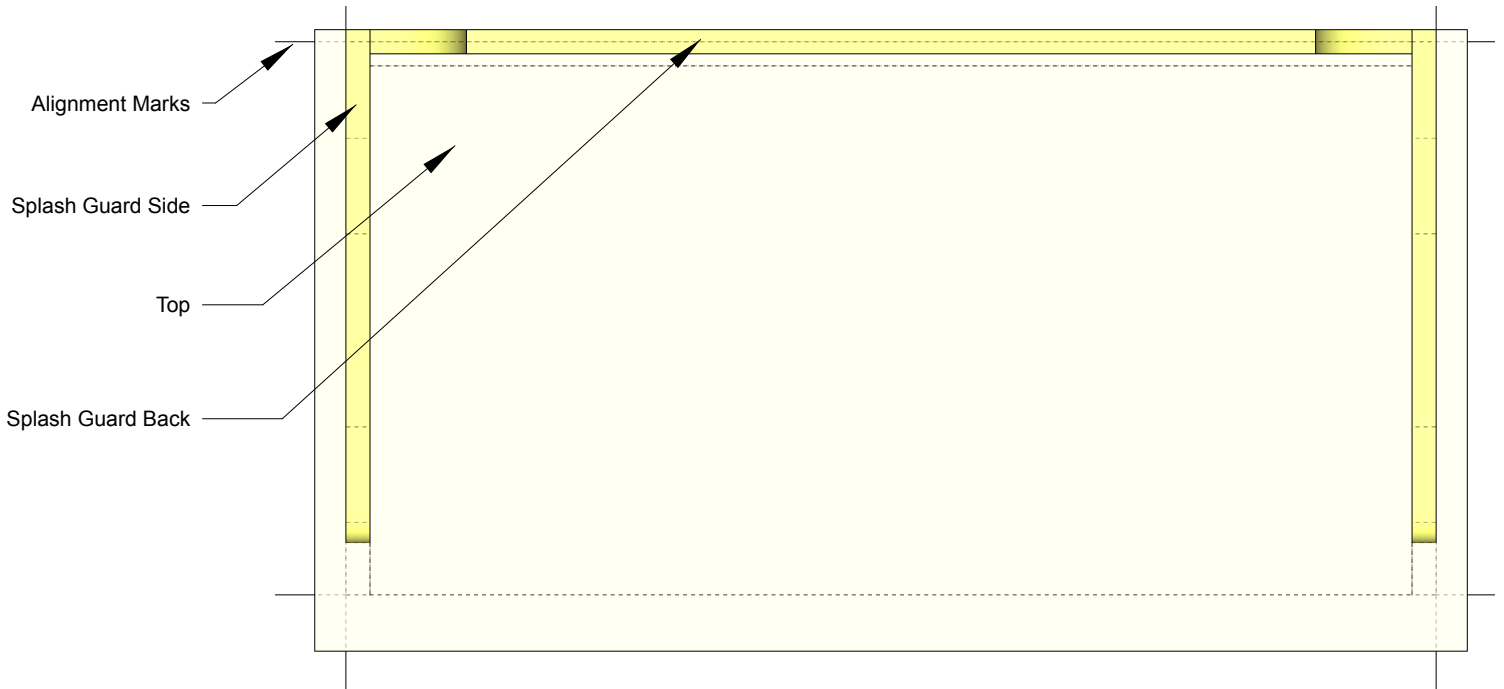


Insert drawer box into cabinet, some sanding may be required for a nice fit. Fit in drawer front, sand if necessary for a good fit then apply glue to the inside of the drawer box. This ensures proper drawer alignment. Be careful to NOT glue the drawer front to the front frame. BUILD TIP-- apply just enough glue to hold the drawer front in place, then remove the drawer and apply glue along all the edges.

STEP 8

Top Splash Guard and Top Placement

TEMPLATE E



NOTES:

Transfer alignment marks to the bottom of the "top". This will be used to align the cabinet onto the "top". Transfer alignment marks for splash guard sides to the top of the "top".

Flip Cabinet over and glue to the bottom of the "top" using alignment marks as a guide.



Flip cabinet back over and glue splash guards in place using alignment marks made in previous step.

Mount your door and drawer knobs in place, and apply your choice of finish to complete the cabinet.

Questions or Comments?
Email me directly:
baclarkservices@gmail.com



MATERIAL LIST:

QTY	MATERIAL	NOTES
2	1/8 x 6 x 12	Basswood or other hardwood
2	1/8 x 2 x 12	Basswood or other hardwood
1	1/16 x 3 x 12	Basswood or other hardwood
4	Knobs	no larger than 1/4"