

ORIGINAL PLANS

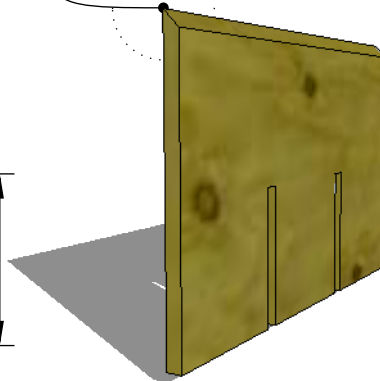
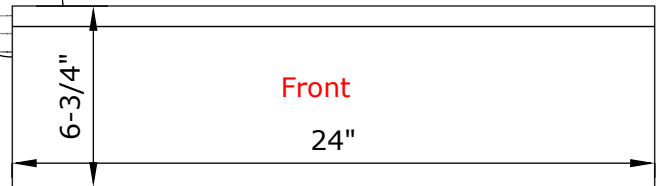
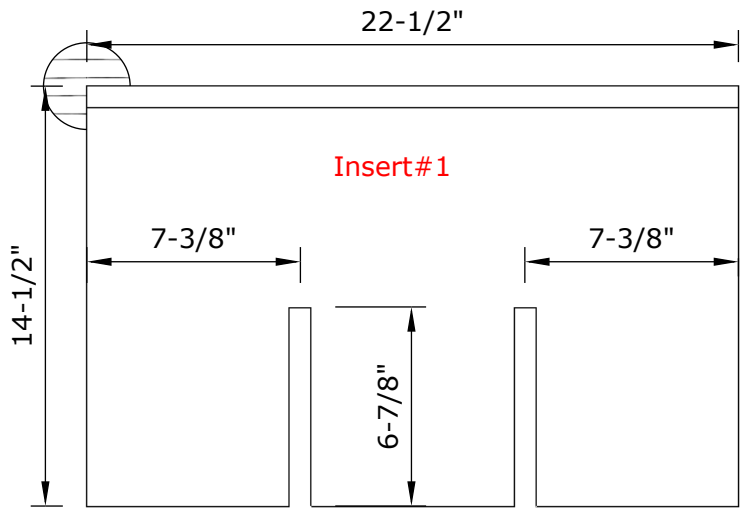
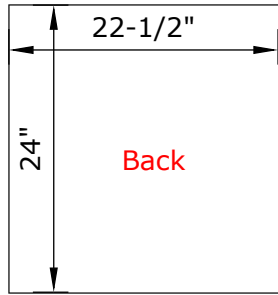
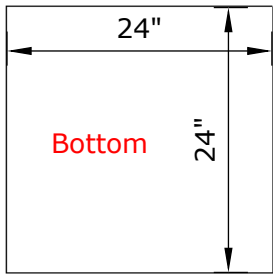
By

Brad Clark

Small Scrap Bin



Built with 3/4 thick Material



Cut 45's on top of "Front" and "Inserts"

